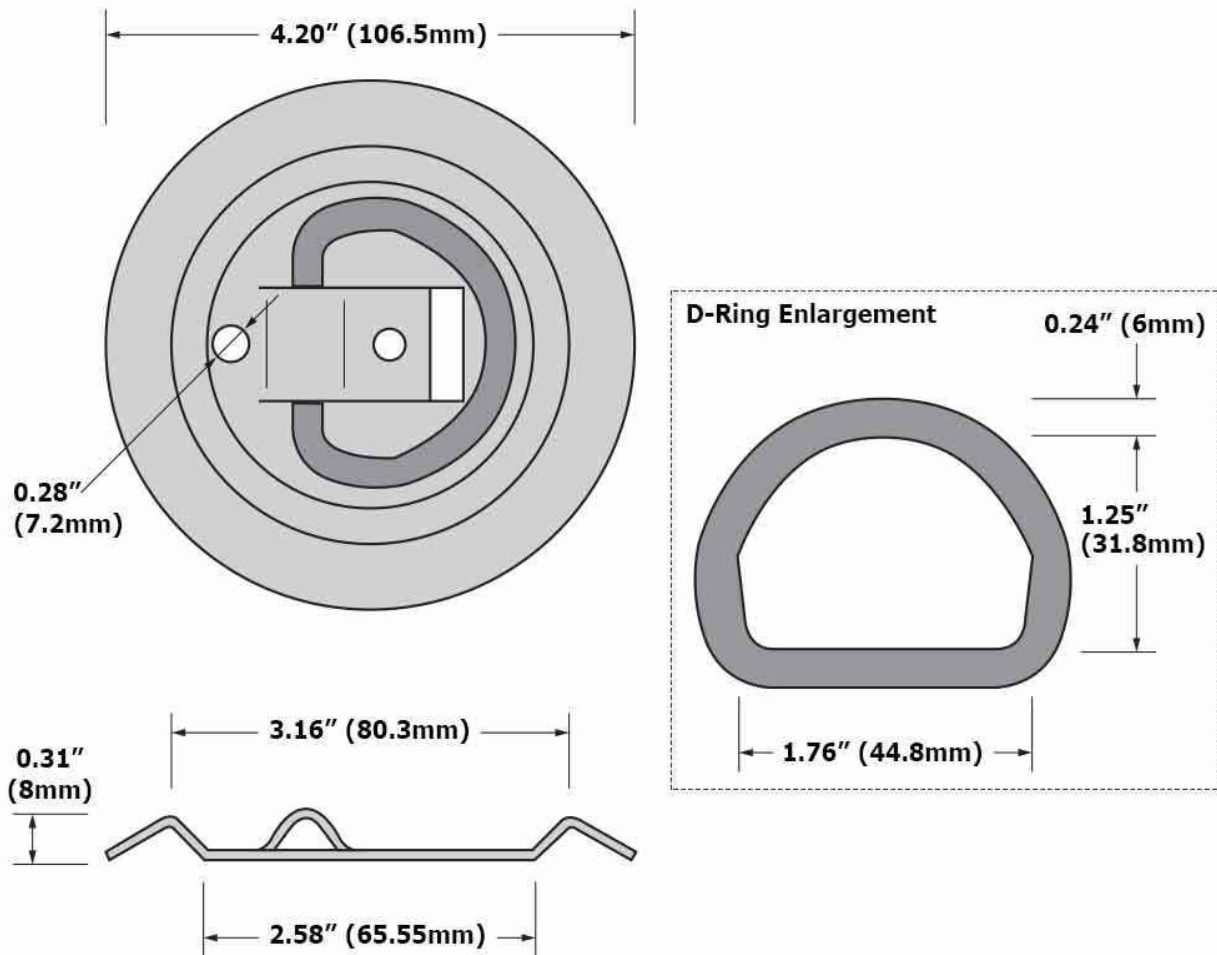


Stainless Steel Recessed D Ring



Assembly Break Strength:800 lbs.
Working Load Limit:266 lbs.
Product Weight:0.3 lbs.
Material:316 Stainless Steel